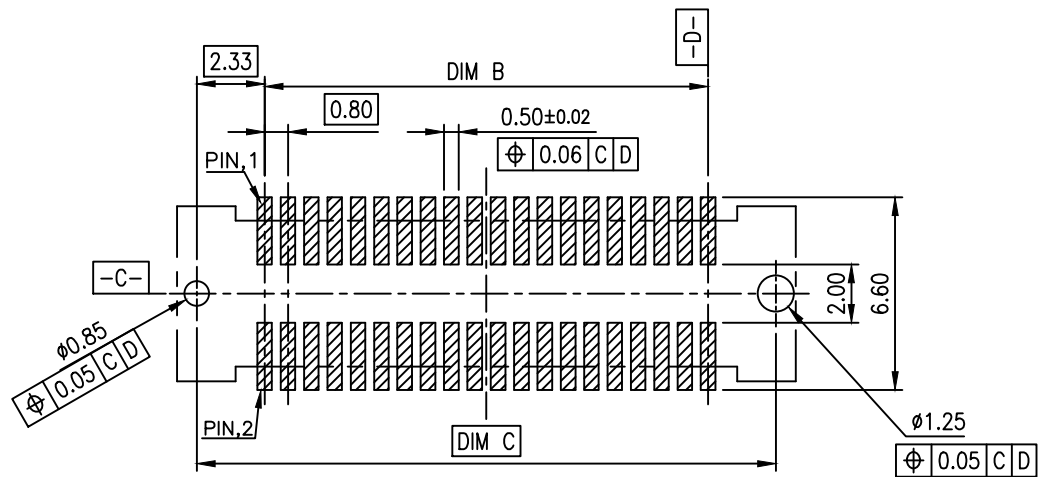
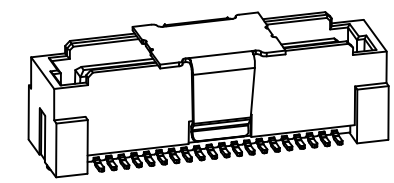
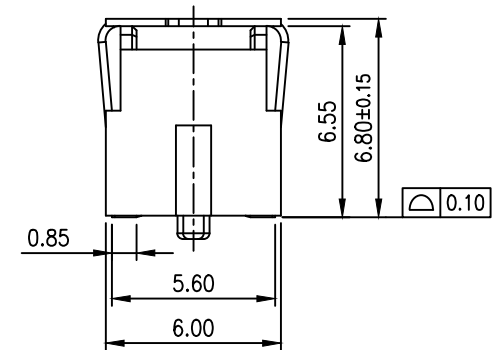
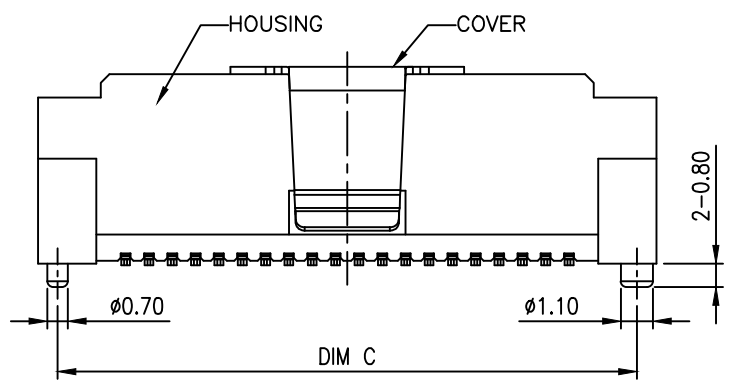


NOTES:  
 1. MATERIAL:  
 1.1 HOUSING: THERMOPLASTIC, HIGH TEMP LCP., UL94V-0; COLOR:NATURE(IVORY).  
 1.2 CONTACT: PHOSPHOR BRONZE  
 1.3 COVER: STAINLESS STEEL  
 2. FINISH:  
 2.1 TERMINAL:50u"MIN NICKEL UNDERPLATING OVERALL.  
 2: GOLD FLASH ON CONTACT  
 50u" MIN MATT ON SOLDER AREA  
 C: 15u" GOLD ON CONTACT  
 50u" MIN MATT ON SOLDER AREA  
 3. REFLOW SOLDER CAPABLE TO 260°C PER ACES SPEC.  
 4. PACKAGE PLS. REFER TO 50128-XXXXX-XXX-TRP  
 5. SPEC. PLS. REFER TO PS-50128-XXXXX-XXX

PART NUMBER  
 50128 - XXX X X-001

NO OF CKT ——— PLATING  
 PACKING ——— 2: GOLD FLASH ON CONTACT  
 7:TAPE & REEL WITH COVER C: 15u" GOLD ON CONTACT



CONNECTOR RECOMMEND P.C.B LAYOUT  
 GENERAL TOLORANCE ±0.05

CKT	DIM A	DIM B	DIM C	DIM D	DIM E
40	21.2	15.2	19.85	7.6	16.74
60	29.2	23.2	27.85	11.6	24.74
80	37.2	31.2	35.85	15.6	32.74
96	43.6	37.6	42.25	18.8	39.14

QUALITY SYMBOLS MAJOR CRITICAL	DRAWN BY Zhang,hongjun	DATE 18/08/01	
GENERAL TOLERANCES (UNLESS SPECIFIED)	CHECKED BY Lu,jingquan	DATE 18/08/01	
X. ±0.5 .X ±0.25 .XX ±0.15 .XXX ±0.1 ANGLES ±2°	APPROVED BY hsieh,tu yu	DATE 18/08/01	
UNITS mm	SCALE 2:1	SHEET NO. 1 OF 1	<b>TITLE</b> 0.8 mm PITCH BTB RCPT. CONN. SMT D/R S/T TYPE
			SIZE A4
			DWG NO. 50128-XXXXX-XXX
			REV D
			PART NO. SEE NOTES